

GARAGE KIT PRO



A **PROFESSIONAL SOLUTION** for draining surface water on your driveway, in a **SIMPLE KIT**

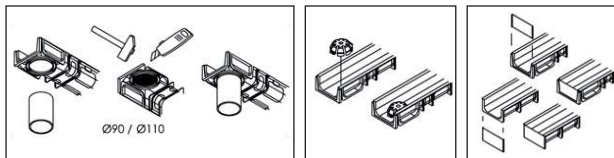
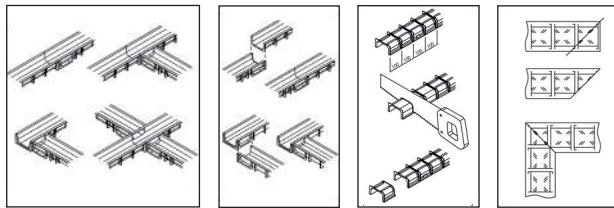
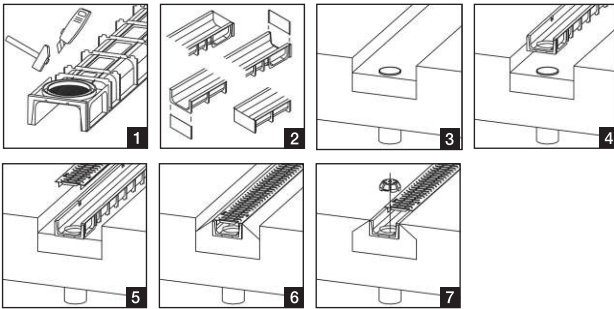
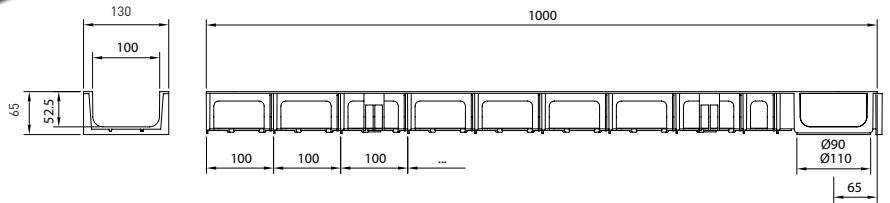


DRAINAGE
SYSTEMS



ARCHITECTURAL SOLUTIONS

GARAGE KIT PRO



- Everything needed to install a **professional drainage system**.
- **Easy to assemble, handle and install.** No screws or special tools required.
- Printed **installation instructions** on both the pack and the bottom of the channel itself.
- Made from **recycled plastic** providing environmental benefits.
- **Easy to connect** channels with a male-female connection.
- **Easy fit end cap** for both male and female connections.
- **Easy access for cleaning.**
- **Additional meter lengths** can be purchased if required.
- **Cutting guide** to create other lengths required every 10 cm.
- Choice of outlet on every channel (Ø90 and Ø110).
- Lateral connection option for T, L and cross connections.
- **High resistance** to chemicals: gasoline, diesel, lubricants...
- **Smooth and impermeable** internal surface.
- Ribbed structure to provide the channel **higher resistance and rigidity**, and to improve the anchorage of the channel into concrete.
- Perfect for driveways, patios, gardens, play areas...

**Load Class A15
European Standard EN 1433**



ARCHITECTURAL SOLUTIONS

ULMA ARCHITECTURAL SOLUTIONS

Bº Zubillaga, 89 - Apdo. 20
20560 Oñati (Gipuzkoa) Spain
Tel.: 00 34 943 78 06 00
info@ulmaarchitectural.com



Made in EU
CE marked
Conforms to European
Standard EN 1433