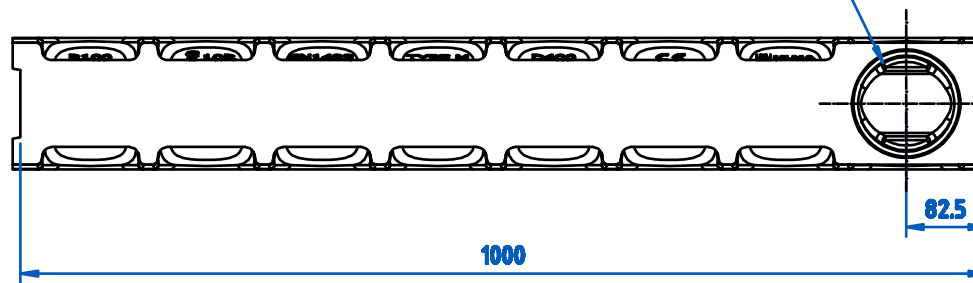
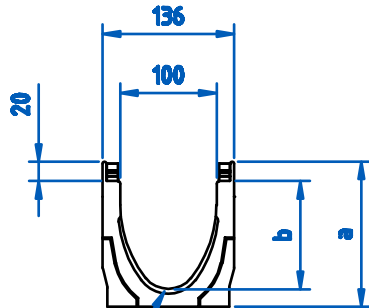


Vertical outlet preform $\varnothing 110\text{mm}$

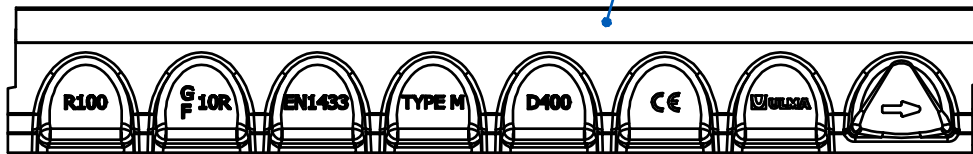


Optimized V-shaped section

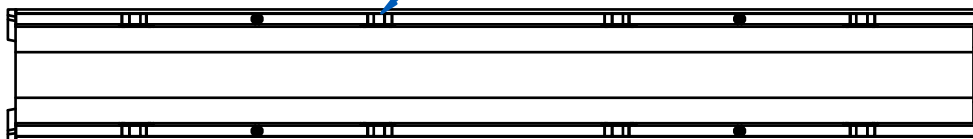


Groove for sealing joint

Smooth galvanized edge of a real thickness of 2+2 mm



8 locking points per linear meter



multiV+[®] 100

External width: 136mm
Internal width: 100mm
Length: 1000mm

Channel reference:	Height (mm)		Hydraulic section (cm ²)	Ø outlet (mm)	
	a	b		Vert.	Horiz.
R100G00R	100	62	56	110	-
R100G10R	150	112	91.5	110	-
R100G20R	200	162	133	110	-
R100G30R	250	212	176	110	-
R100G40R	300	262	220	110	-

Review: 2013-03

ULMA Architectural Solutions reserves the right to modify the specifications of any of its products without prior notice.

Information about the shown products is only indicative and is based on the existing technical features at the time of issuing.

In the event of any discrepancy in the translation of this document into different languages, the Spanish version will be used.

Latest version in www.ulmaarchitectural.com

For more details, see technical sheets and installation guide.

Description

ULMA polymer concrete linear drainage channel model MultiV+[®] R100G. Self-cleaning optimized V-shaped V+ section.

Protective galvanized steel edge with a real thickness of 2+2 mm, smooth, without breakage of the protective zinc layer, avoiding water accumulation and preventing corrosion.

Boltless locking system ULMA Rapidlock[®], 8 fixing points per lm for higher mechanical stability.

Load class up to D400, EN 1433 Standard.

Grooved to ease joint sealing and vertically and horizontally channel aligning tongue and groove.

CE Conformity Declaration and compliance with EN 1433 Standard.

External width 136mm, internal width 100mm and total length 1000mm. Total heights available between 100mm and 300mm. Installation possible with no slope or stepped fall.



ARCHITECTURAL SOLUTIONS



Tel.: +34 943 78 06 00
Info@ulmaarchitectural.com
ulmaarchitectural.com