

KOMPAQ200

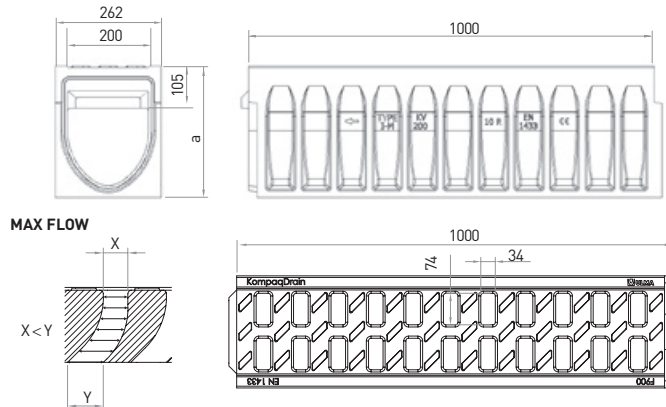
CIVIL

LOAD CLASS
UP TO **F900**
EN-1433 STANDARD



Linear Drainage Channel model **ULMA KompaqDrain® Civil KVF200**, with an integral grating, presented in one-piece and manufactured by high resistant Polymer Concrete. Vandal – proof and corrosion resistant. Load class up to F-900 for high loads. With “V” optimized shaped and capture holes with MAX-FLOW® geometry: self-cleaning effect at a low flow, increase at maximum flow and positive opening in order to avoid dirt blockage, for areas

without slope. Active surface for cutting of water sheet and for its driving to uptake holes and with non-slippery protuberances. Male and female horizontal and vertical alignment and perimetral preformed groove to facilitate joint sealing in 360°. The register and the sump unit include cast iron grating FNX200FTFM, lateral preforms for horizontal outlets on each side and lateral preforms for connections in T, L and in cross.



CHANNELS

Channel Code	Length (mm)	Height (mm)	Channel width (mm)		Weigth (Kg)	Hydraul. Section (cm ²)	Pcs. (x pallet)
			External	Internal			
KVF200.10R	1000	325	262	200	88	318	12
KVF200.30R	1000	525	262	200	111	718	8
KVF200.50R	1000	725	262	200	141	1118	8

REGISTERS

Channel Code	L. (mm)	Height (mm)	Channel width (mm)		Lateral Outlet (mm)	Vertical Outlet (mm)	T and + channel connection	Weigth (Kg)	Hydraul. Section (cm ²)	Pcs. (x pallet)
			Ext.	Int.						
AKVF200MF10R	1000	325	262	200	160 160	160	YES	90	318	12
AKVF200MF30R	1000	525	262	200	315 315	200	YES	115	718	8
AKVF200MF50R	1000	725	262	200	400 400	200	YES	145	1118	8

* Standard cast iron edges, galvanized and stainless steel edges available.



AKVF200MF10R

SUMP UNITS

Sump Unit Code	L. (mm)	Height (mm)	Channel width (mm)		Frontal Outlet (mm)	Lateral Outlet (mm)	Galvanized steel bucket	Weigth (Kg)	Hydraul. Section (cm ²)	Pcs. (x pallet)
			Ext.	Int.						
AKVF200MF10RS	1000	325	262	200	-	160 160	-	84	318	12
AKVF200MF30RS	1000	525	262	200	-	315 315	-	108	718	8
AKVF200MF50RS	1000	725	262	200	-	400 400	-	138	1118	8
AKVF200I	500	380	262	200	200	200 315	CKV200	34	-	16
AKVF200B	500	380	262	200	200	200 315	CKV200	38	-	16

** The Sump unit can be higher incorporating an intermediate unit of 380 mm. AKVF200I.

**** More info about sump units and registers on page 18.



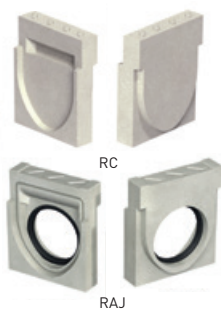
AKVF200MF10RS



AKVF200B

END CAPS

Channel	Code	Ø (mm)
KVF200.10R	TKVF200.10RC	-
	TKVF200.10RAJ	160
KVF200.30R	TKVF200.30RC	-
	TKVF200.30RAJ	200
KVF200.50R	TKVF200.50RC	-
	TKVF200.50RAJ	400



CONNECTORS

Channel	Code
KVF200.10R	TCKVF200.10RFFA
	TCKVF200.10RMMA
KVF200.30R	TCKVF200.30RFFA
	TCKVF200.30RMMA
KVF200.50R	TCKVF200.50RFFA
	TCKVF200.50RMMA



BUCKET

Code
CKV200



STEP UNIT

Code
CEKV200



SLOPE DESIGNS



WITHOUT SLOPE

CASCADED SLOPE