

# KOMPAQ200

## INDUSTRY

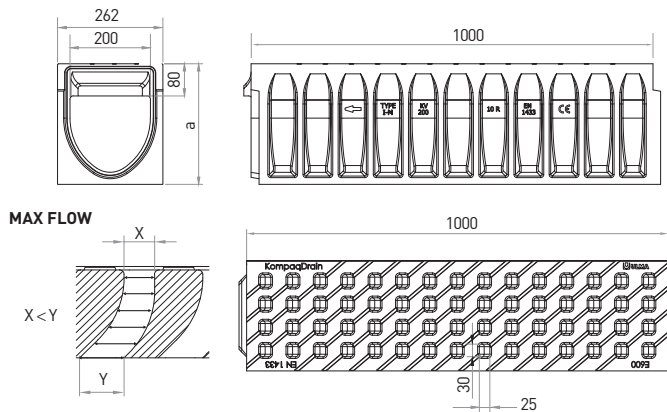
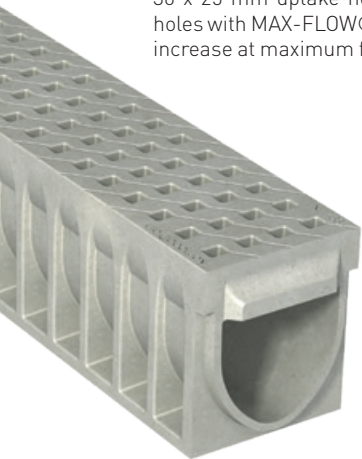
LOAD CLASS  
UP TO **E600**  
EN-1433 STANDARD



Linear Drainage Channel model **ULMA KompaqDrain® Industry KVE200**, with an integral grating, presented in one-piece and manufactured by high resistant Polymer Concrete. Vandal – proof and corrosion resistant. Load class up to E-600 with surface design without protuberances to avoid vibrations in crossing vehicles, 30 x 25 mm uptake holes. With "V" optimized shaped and capture holes with MAX-FLOW® geometry: self-cleaning effect at a low flow, increase at maximum flow and positive opening in order to avoid dirt

blockage, for areas without slope. Active surface for cutting of water sheet and for its driving to uptake holes. Male and female horizontal and vertical alignment and perimetral preformed groove to facilitate joint sealing in 360°.

The register and the sump unit include: cast iron grating FNX200FTEM, lateral preforms for horizontal outlets on each side and lateral preforms for connections in T, L and in cross.



### CHANNELS

Channel Code	Length (mm)	Height (mm)	Channel width (mm)		Weight (Kg)	Hydraul. Section (cm²)	Pcs. (x pallet)
			External	Internal			
KVE200.10R	1000	300	262	200	81	318	12
KVE200.30R	1000	500	262	200	104	718	8
KVE200.50R	1000	700	262	200	134	1118	8

### REGISTERS

Channel Code	L. (mm)	Height (mm)	Channel width (mm)		Lateral Outlet (mm)	Vertical Outlet (mm)	T and + channel connection	Weight (Kg)	Hydraul. Section (cm²)	Pcs. (x pallet)
			Ext.	Int.						
AKVE200MF10R	1000	300	262	200	160	160	160	82	318	12
AKVE200MF30R	1000	500	262	200	315	315	200	106	718	8
AKVE200MF50R	1000	700	262	200	400	400	200	137	1118	8

\* Standard cast iron edges, galvanized and stainless steel edges available.



### SUMP UNITS

Sump Unit Code	L. (mm)	Height (mm)	Channel width (mm)		Frontal Outlet (mm)	Lateral Outlet (mm)	Galvanized steel bucket	Weight (Kg)	Hydraul. Section (cm²)	Pcs. (x pallet)	
			Ext.	Int.							
AKVE200MF10RS	1000	300	262	200	-	160	160	-	76	318	12
AKVE200MF30RS	1000	500	262	200	-	315	315	-	100	718	8
AKVE200MF50RS	1000	700	262	200	-	400	400	-	130	1118	8
AKVF200I	500	380	262	200	200	200	315	CKV200	34	-	16
AKVF200B	500	380	262	200	200	200	315	CKV200	38	-	16

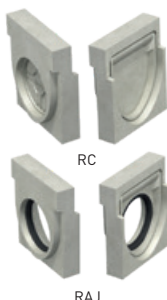
\*\* The Sump unit can be higher incorporating an intermediate unit of 380 mm. AKVF200I.

\*\*\* More info about sump units and registers on page 18.



### END CAPS

Channel	Code	Ø (mm)
KVE200.10R	TKVE200.10RC	-
	TKVE200.10RAJ	160
KVE200.30R	TKVE200.30RC	-
	TKVE200.30RAJ	200
KVE200.50R	TKVE200.50RC	-
	TKVE200.50RAJ	400



### CONNECTORS

Channel	Code
KVE200.10R	TCKVE200.10RFFA
	TCKVE200.10RMMA
KVE200.30R	TCKVE200.30RFFA
	TCKVE200.30RMMA
KVE200.50R	TCKVE200.50RFFA
	TCKVE200.50RMMA



### BUCKET

Code
CKV200



### STEP UNIT

Code
CEKV200



### SLOPE DESIGNS

