

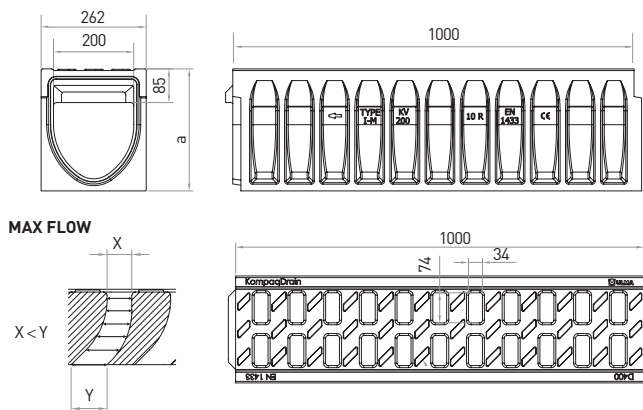
KOMPAQ200 TRAFFIC

LOAD CLASS
UP TO **D400**
EN-1433 STANDARD



Linear Drainage Channel model **ULMA KompaqDrain® Traffic KVFD200**, with an integral grating, presented in one-piece and manufactured by high resistant Polymer Concrete. Vandal – proof and corrosion resistant. Load class up to D-400, for all type of vehicles crossing. With "V" optimized shaped and capture holes with MAX-FLOW® geometry: self-cleaning effect at a low flow, increase at maximum flow and positive opening in order to avoid

dirt blockage, for areas without slope. Active surface for cutting of water sheet and for its driving to uptake holes and with non-slippery protuberances. Male and female horizontal and vertical alignment and perimetral preformed groove to facilitate joint sealing in 360°. The register and the sump unit include: cast iron grating FN200FTDM, lateral preforms for horizontal outlets on each side and lateral preforms for connections in T, L and in cross.



CHANNELS

Channel Code	Length (mm)	Height (mm)	Channel width (mm)		Weigth (Kg)	Hydraul. Section (cm²)	Pcs. (x pallet)
			External	Internal			
KVFD200.10R	1000	305	262	200	78	318	12
KVFD200.30R	1000	505	262	200	101	718	8
KVFD200.50R	1000	705	262	200	131	1118	8

REGISTERS

Channel Code	L. (mm)	Height (mm)	Channel width (mm)		Lateral Outlet (mm)		Vertical Outlet (mm)	T and + channel connection	Weigth (Kg)	Hydraul. Section (cm²)	Pcs. (x pallet)
			Ext.	Int.							
AKVFD200MF10R	1000	305	262	200	160	160	160	YES	80	318	12
AKVFD200MF30R	1000	505	262	200	315	315	200	YES	104	718	8
AKVFD200MF50R	1000	705	262	200	400	400	200	YES	135	1118	8

* Standard cast iron edges, galvanized and stainless steel edges available.



SUMP UNITS

Sump Unit Code	L. (mm)	Height (mm)	Channel width (mm)		Frontal Outlet (mm)	Lateral Outlet (mm)	Galvanized steel bucket	Weigth (Kg)	Hydraul. Section (cm²)	Pcs. (x pallet)	
			Ext.	Int.							
AKVFD200MF10RS	1000	305	262	200	-	160	160	-	74	318	12
AKVFD200MF30RS	1000	505	262	200	-	315	315	-	98	718	8
AKVFD200MF50RS	1000	705	262	200	-	400	400	-	128	1118	8
AKVF200I	500	380	262	200	200	200	315	CKV200	34	-	16
AKVF200B	500	380	262	200	200	200	315	CKV200	38	-	16

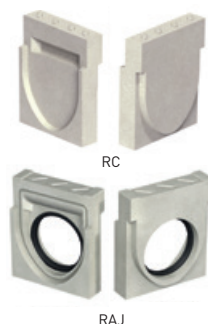
** The Sump unit can be higher incorporating an intermediate unit of 380 mm. AKVF200I.

*** More info about sump units and registers on page 18.



END CAPS

Channel	Code	Ø (mm)
KVFD200.10R	TKVFD200.10RC	-
	TKVFD200.10RAJ	160
KVFD200.30R	TKVFD200.30RC	-
	TKVFD200.30RAJ	200
KVFD200.50R	TKVFD200.50RC	-
	TKVFD200.50RAJ	400



CONNECTORS

Channel	Code
KVFD200.10R	TCKVFD200.10RFFA
	TCKVFD200.10RMMA
KVFD200.30R	TCKVFD200.30RFFA
	TCKVFD200.30RMMA
KVFD200.50R	TCKVFD200.50RFFA
	TCKVFD200.50RMMA



BUCKET

Code
CKV200



STEP UNIT

Code
CEKV200



SLOPE DESIGNS

